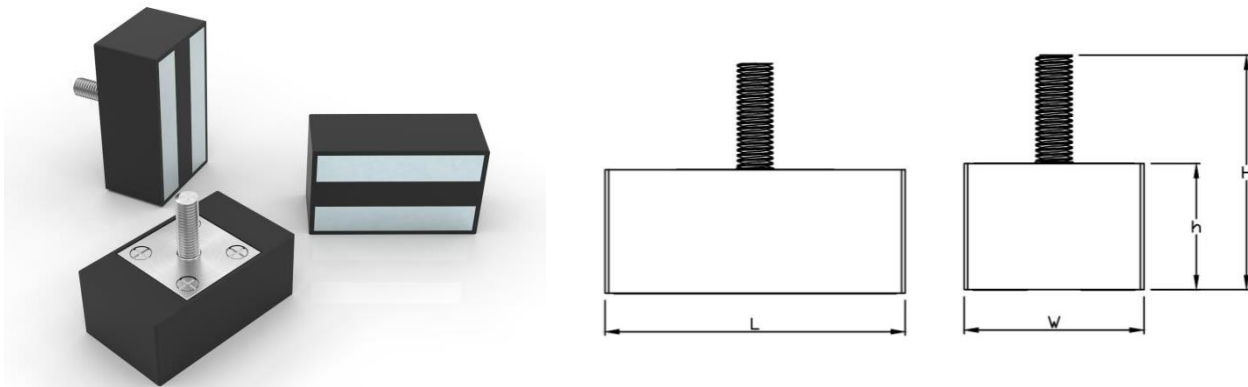


Rectangular NdFeB rubber coated magnet with threaded stud



Item No.	L	W	h	H	M	Force			Weight
	mm	mm	mm	mm		Kg	N	Lbs	g
RCNL84M-1200	85	50	35	65	10	122	1200	270	975
RCNL84M-3500	85	50	35	65	10	356	3500	786	975



* We test the holding force of magnetic assembly by attaching it on a 20mm thick steel sheet at room temperature and then pulling it slowly in vertical direction with the device that is sensitive enough to record the strength at the moment when magnetic assembly is separated from the steel sheet. This is to give you a reference where the actual holding force in real application could be different with the change of, for example, pulling direction, thickness of the surface etc.

01 Rubber Coated Magnet