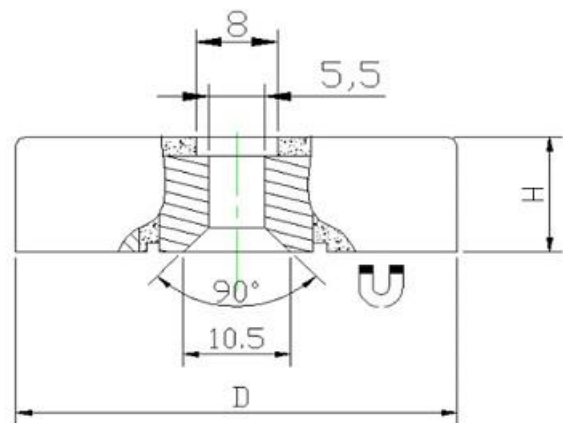


Plastic cased magnet with countersunk



Product description

This ferrite plastic cased magnet has a hole on one side and a countersunk hole on the other side. It can be fixed with a screw to hold tools, such as screw drivers, hammers in workshops and factories.

Item No	D	H	Force			Weight
	mm	mm	Kg	N	Lbs	g
PCFB43C-W	43	12	12	120	27	77

