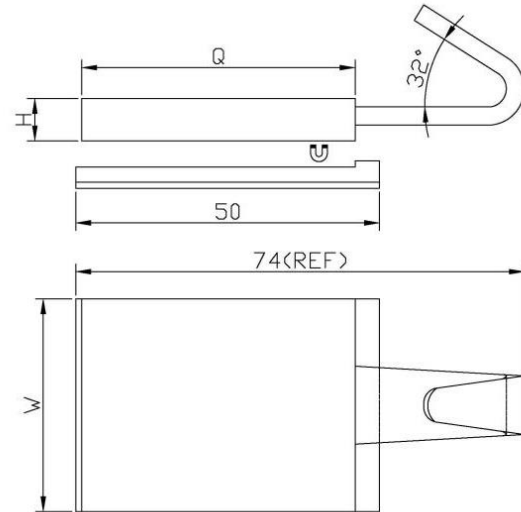
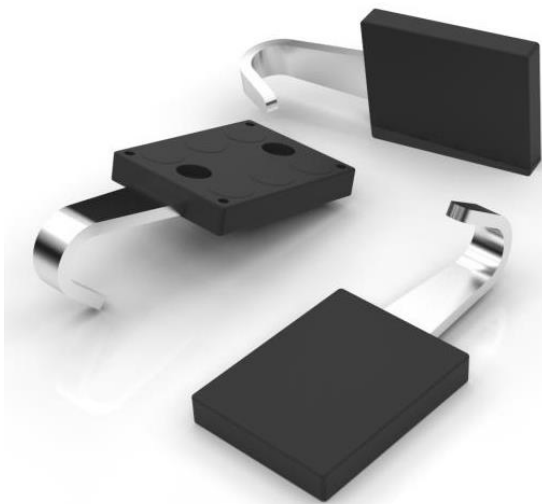


NdFeB rubber coated magnet with J hook, rectangular



Item No.	L	W	Q	H	Force			Weight
	mm	mm	mm	mm	Kg	N	Lbs	g
RCNL74L	74	35	45	7	10	98	22	53.7



* We test the holding force of magnetic assembly by attaching it on a 20mm thick steel sheet at room temperature and then pulling it slowly in vertical direction with the device that is sensitive enough to record the strength at the moment when magnetic assembly is separated from the steel sheet. This is to give you a reference where the actual holding force in real application could be different with the change of, for example, pulling direction, thickness of the surface etc.

01 Rubber Coated Magnet