

## 07 Magnetic Poster Hanger

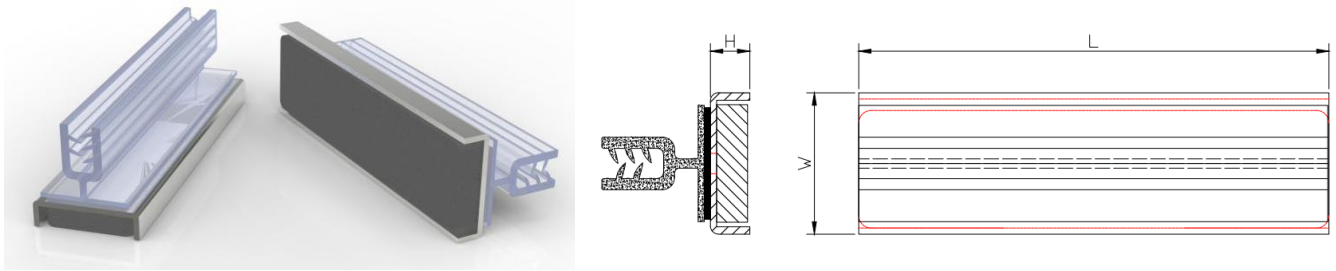
Magnetic hangers for posters is just a very general description of their application. In fact they hang not only posters but other objects like notes, banners, labels or whatever the user wants to as long as its within the load limit.



### PRODUCT INFORMATION

- 1) Large range of magnetic poster hangers are available to meet your specific applications.
- 2) Easy and convenient to use.
- 3) Enable your advertisement eye-catching and attractive.

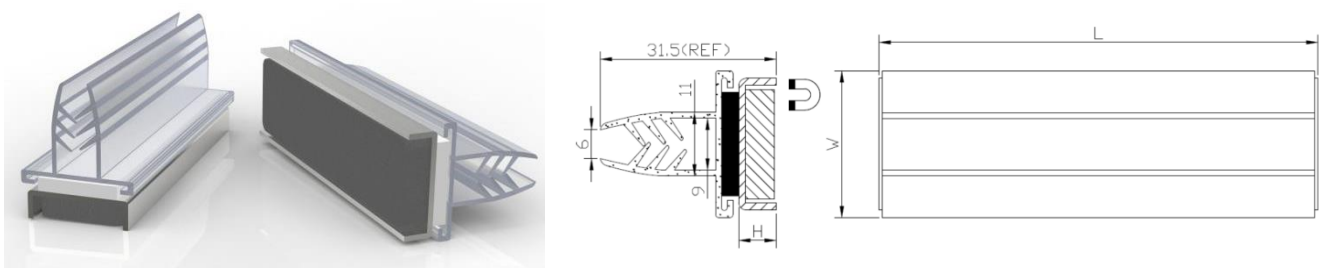
## Channel magnet with hinge PVC gripper



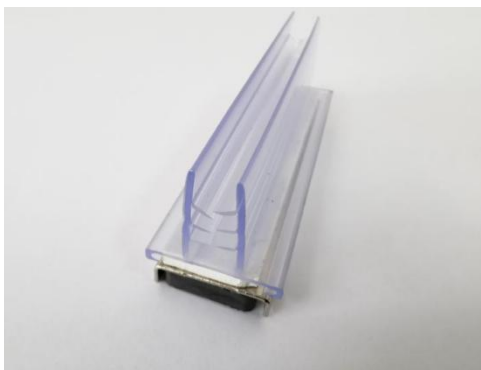
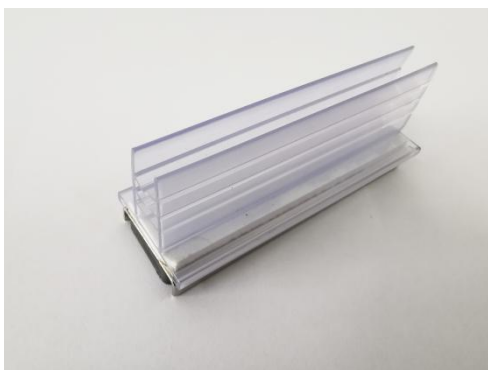
Item No.	L	W	H	Force		
	mm	mm	mm	Kg	N	Lbs
CHFL3-PVC-Y	76.2	22.86	6.38	10	98	22



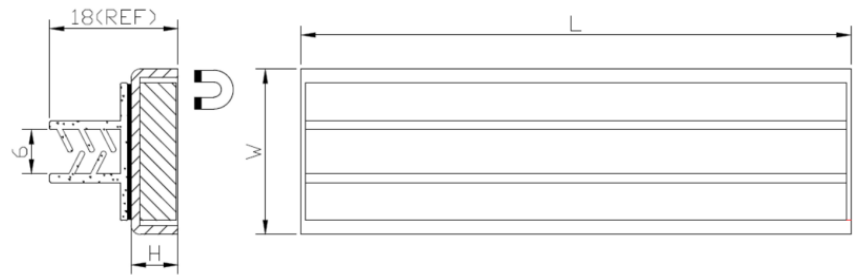
## Channel magnet with S PVC gripper



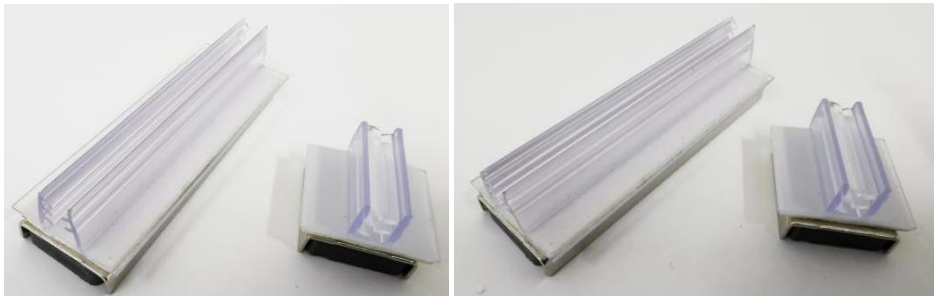
Item No.	L	W	H	Force		
	mm	mm	mm	Kg	N	Lbs
CHFL3-PVC-S	76.2	22.86	6.38	10	98	22



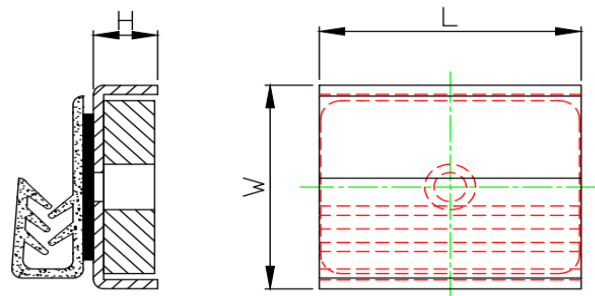
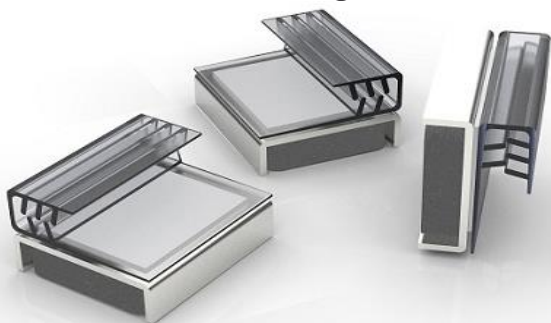
## Channel magnet with vertical PVC gripper



Item No.	L	W	H	Force		
	mm	mm	mm	Kg	N	Lbs
CHFL1-PVC	25.4	22.23	6.35	4	39	9
CHFL3-PVC	76.2	22.86	6.38	10	98	22



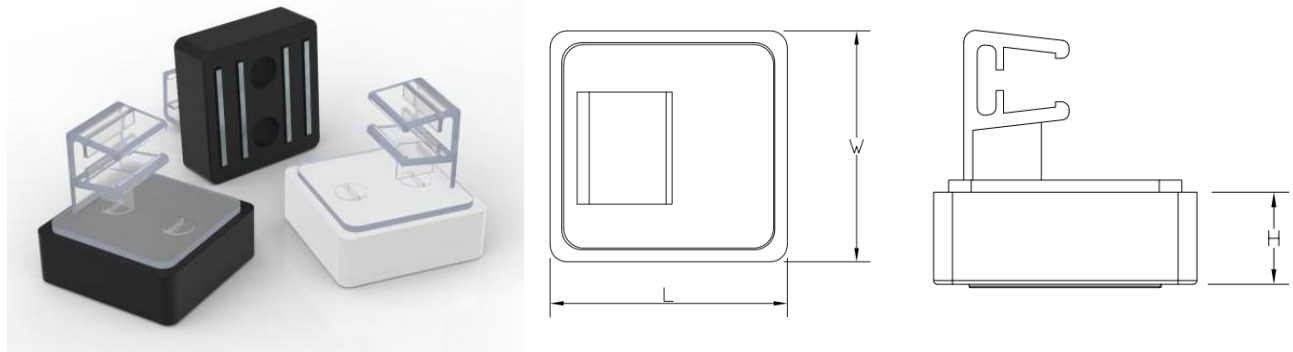
## Ferrite channel magnet with horizon PVC gripper



Item No.	L	W	H	Force		
	mm	mm	mm	Kg	N	Lbs
CHFL1-PC	25.4	22.23	6.35	4	39	9
CHFL3-PC	76.2	22.86	6.38	10	98	22



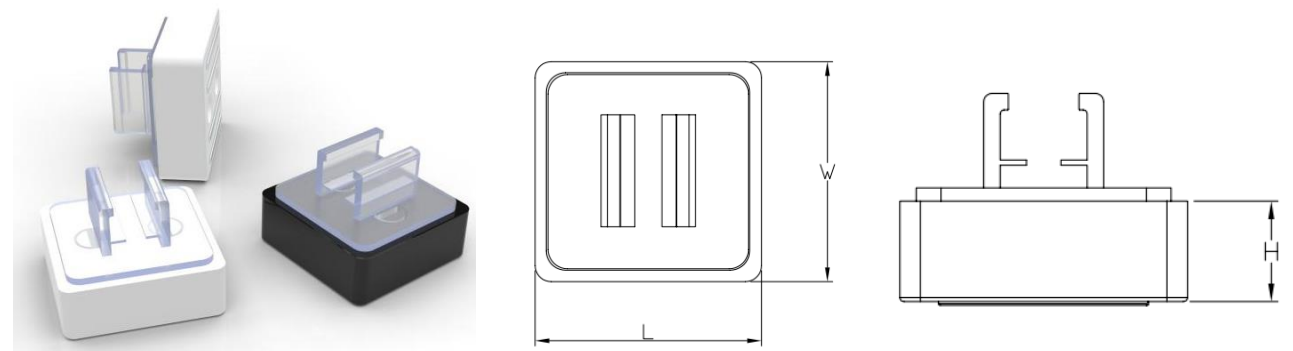
## Magnetic sign base with horizon gripper



Item No.	Magnetic base(mm)			Total Height(mm)	Color
	L	W	H		
GIPOS E15	35	34	12	35	Beige
GIPOS E15B	35	34	12	35	Black



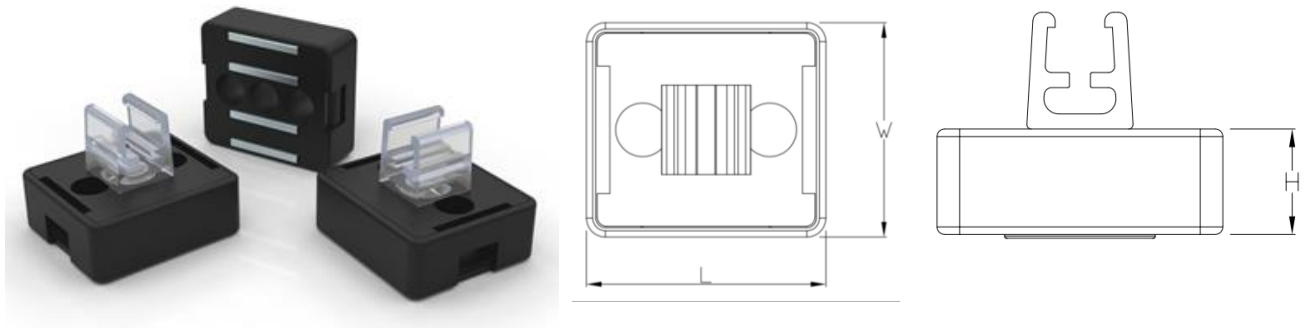
## Magnetic sign base with vertical gripper



Item No.	Magnetic base(mm)			Total Height(mm)	Color
	L	W	H		
GIPOS E14	35	34	12	25	Beige
GIPOS E14B	35	34	12	25	Black



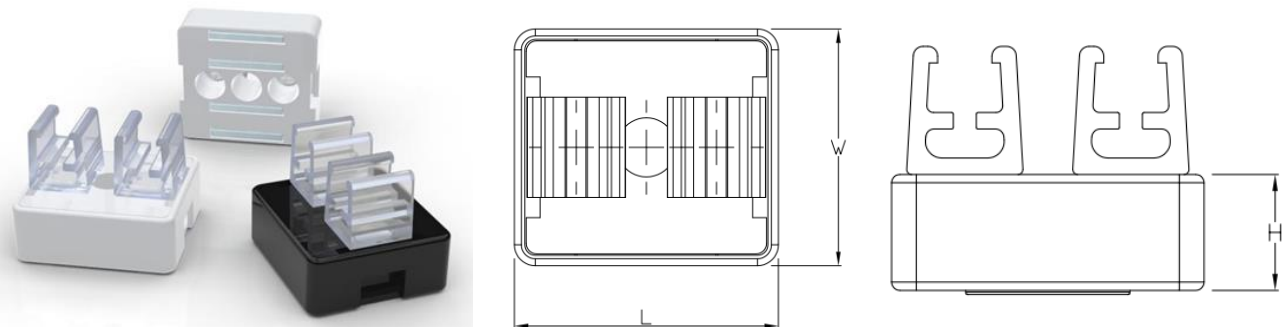
## Magnetic sign base with a swivel gripper



Item No.	Magnetic base(mm)			Total Height (mm)	Color	Gripper
	L	W	H			
GIPOS K21	38	34	14	30	Beige	Swivel
GIPOS K21B	38	34	14	30	Black	Swivel



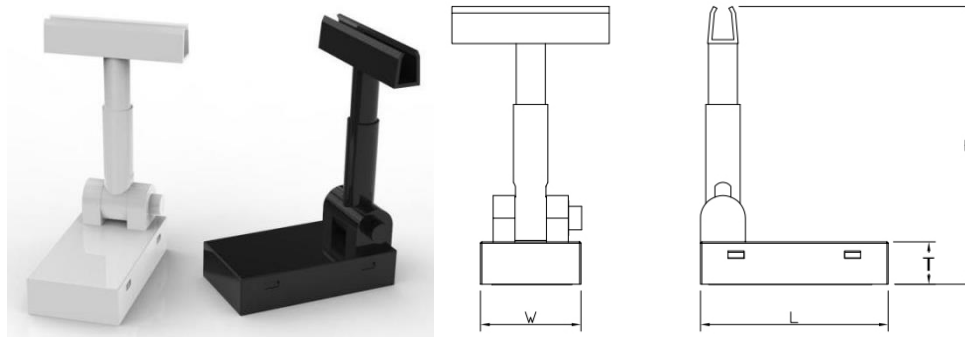
## Magnetic sign base with two swivel grippers



Item No.	Magnetic base(mm)			Total Height (mm)	Color	Gripper
	L	W	H			
GIPOS K21C	38	34	14	30	Beige	Swivel
GIPOS K21CB	38	34	14	30	Black	Swivel



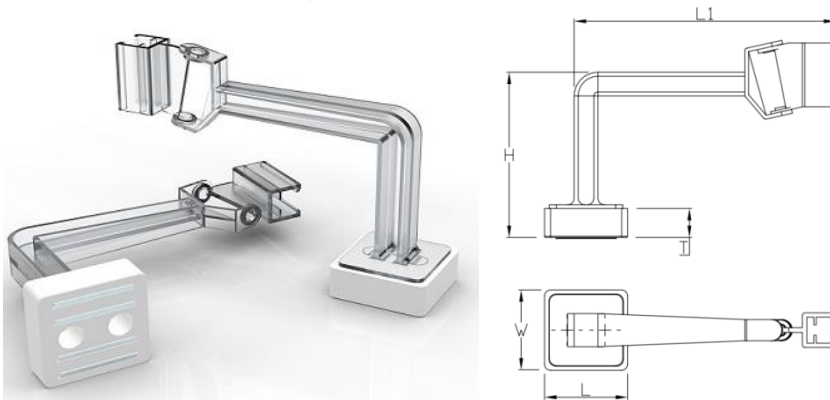
## Magnetic base with rotating frame holder



Item No.	L	W	T	H	Color
	mm	mm	mm	(mm)	
GIPOS C11	71	38	16	105	Beige
GIPOS C11B	71	38	16	105	Black



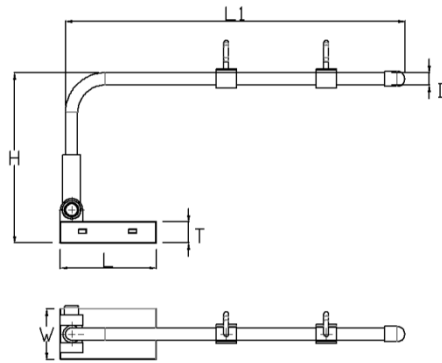
## Plastic frame magnetic base with clip



Item No.	Magnetic base(mm)			Total Height(mm)	Length(mm)
	L	W	T	H	L1
GIPOS S21	35	35	13	70	115



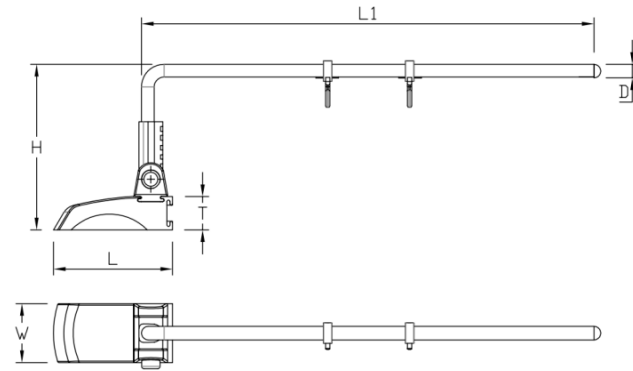
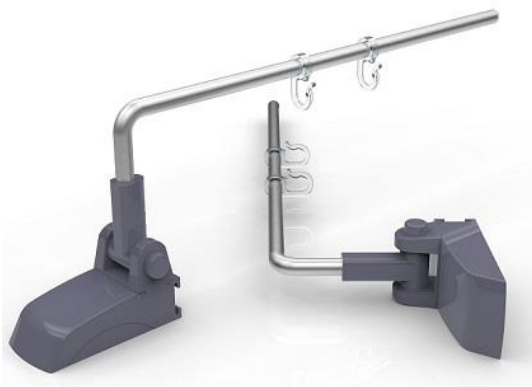
## Rectangular magnetic base with L aluminum tube and hooks



Item No.	Magnetic base(mm)			Aluminum Pole(mm)		Total Height (mm)	Weight
	L	W	T	D	L1	H	g
GIPOS R8-1	71	38	16	9.4	300	125	155



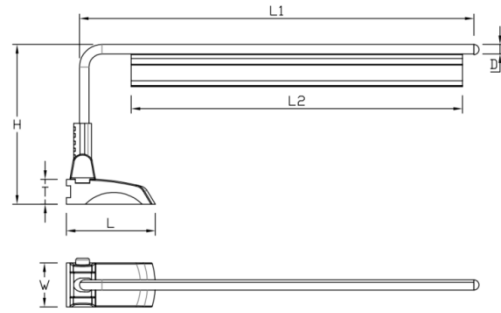
## Magnetic sign holder with grey base and tube



Item No.	Magnetic base(mm)			Aluminum Pole(mm)		Total Height (mm)	Weight
	L	W	T	D	L1	H	g
GIPOS G3	79	38	23	9	300	140	177



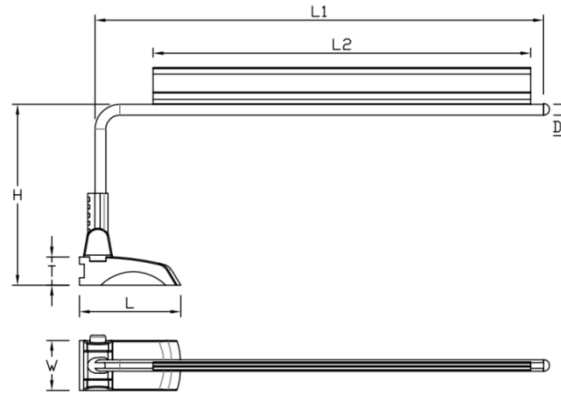
## Magnetic sign holder with grey base and PVC gripper



Item No.	Magnetic base(mm)			Aluminum Pole(mm)		PVC gripper Length(mm)	Total Height (mm)
	L	W	T	D	L1	L2	H
GIPOS G3-2	71	38	16	9	350	294	140
GIPOS G3-3	71	38	16	9	300	210	140



## Magnetic sign holder with grey base and PVC gripper

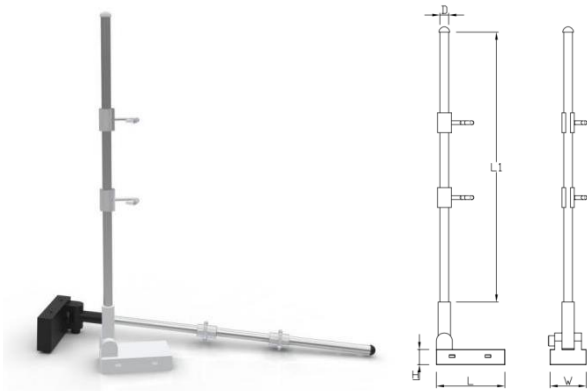


Item No.	Magnetic base(mm)			Aluminum Pole(mm)		PVC gripper Length(mm)	Total Height (mm)
	L	W	T	D	L1	L2	H
GIPOS G3-1	79	38	23	9	350	294	140





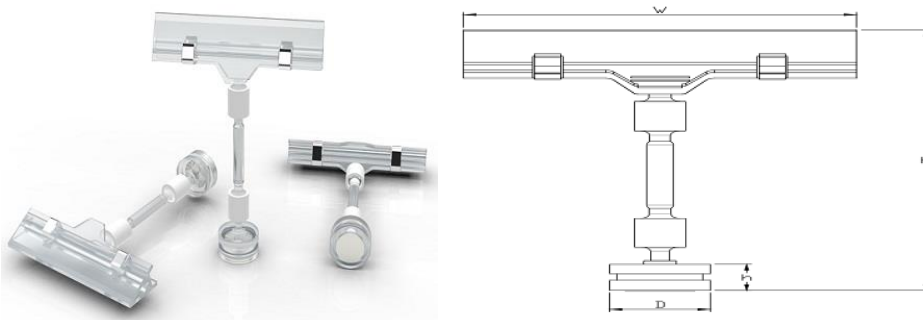
## Magnetic sign holder with upright pole



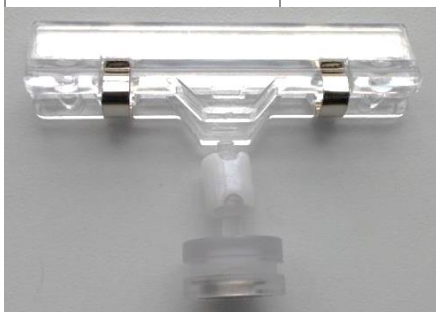
Item No.	Magnetic base(mm)			Aluminum Pole(mm)		Color
	L	W	H	D	L1	
GIPOS R8	71	38	16	9.2	285	Beige
GIPOS R8B	71	38	16	9.2	285	Black



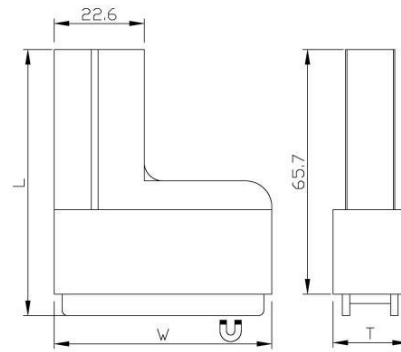
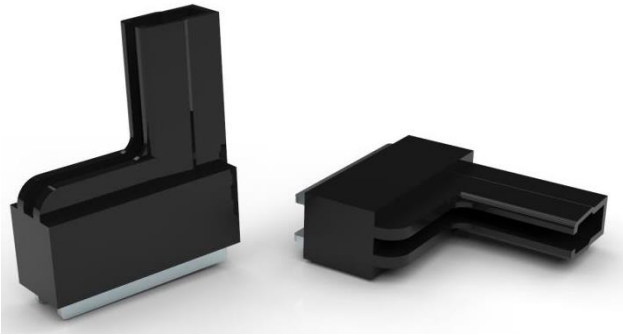
## Circular magnetic base with clip



Item No.	Magnetic base(mm)		Width of Clip(mm)
	D	J	W
GIPOS J19	20	11	80



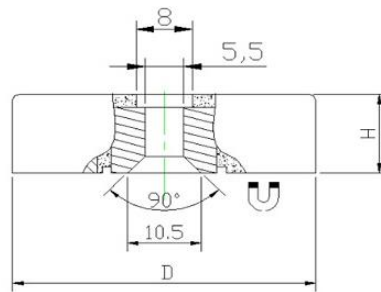
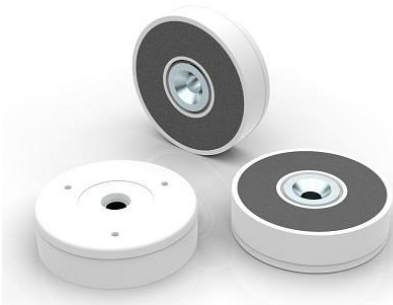
## Boot shape magnetic base



Item No.	L	W	T	Force			Color
	mm	mm	mm	Kg	N	Lbs	
G25	71.2	58.5	20.2	25	245	55	Beige
G25B	71.2	58.5	20.2	25	245	55	Black
G25C	71.2	58.5	20.2	25	245	55	Clear



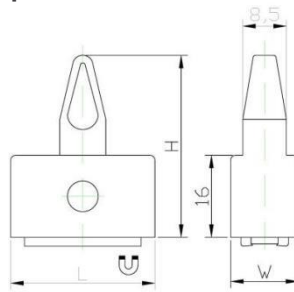
## Plastic cased magnet with countersunk



Item No	D	H	Force			Weight
	mm	mm	Kg	N	Lbs	g
PCFB43C-W	43	12	12	120	27	77



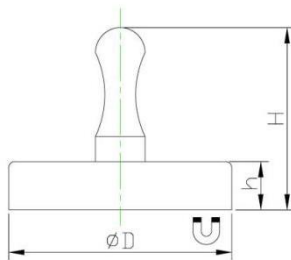
## Plastic cased magnet with loop



Item No.	L	W	H	Force		
	mm	mm	mm	Kg	N	Lbs
8FGPJF0015	28.2	13.3	35.5	9	88	20



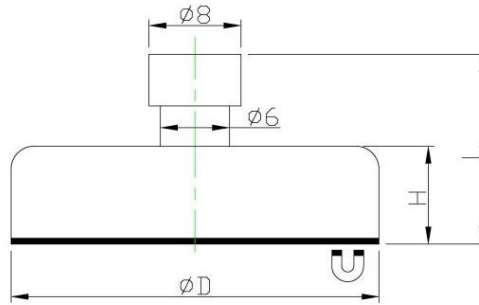
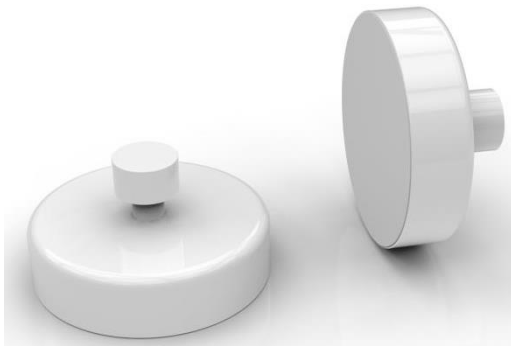
## Ferrite memo magnet with handle, white powder coated



Item No	D	h	H	Force			Weight
	mm	mm	mm	Kg	N	Lbs	g
TFE25H-W	25	7	29	4	40	9	22
TFE32H-W	32	7	29	7	70	15	33.5
TFE36H-W	36	7.7	29	8	80	18	45
TFE40H-W	40	8	29	10	100	22	57.5



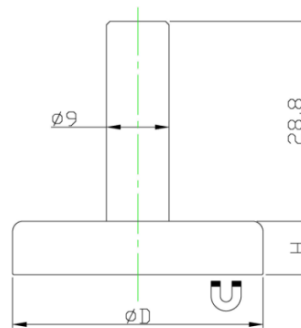
## Ferrite white powder coated magnet with knob



Item No.	D	H	L	Force (with protect film)		
	mm	mm	mm	Kg	N	Lbs
TFE32T-W	32	8	16	6	58	13



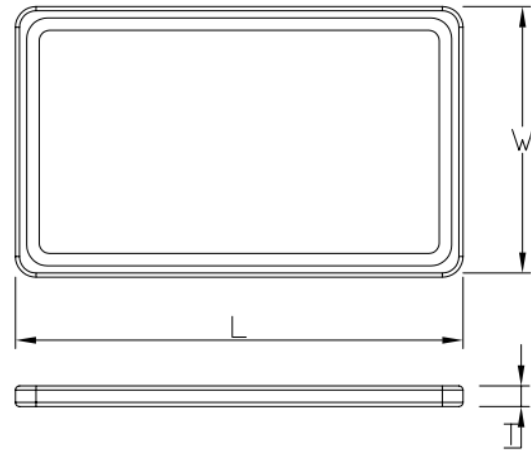
## Ferrite pot magnet with metal rod



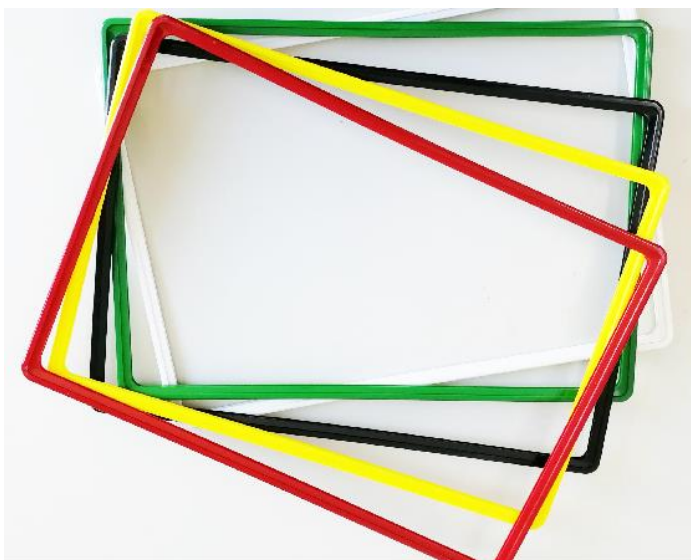
Item No.	D	H	ROD	Force		
	mm	mm	mm	Kg	N	Lbs
8FGPPY3617	36	7.7	D9x28.8mm	5	49	11



# Plastic frame with PVC pocket



Item No.	L	W	T
	mm	mm	mm
POSD1A3-yellow	426	304	11
POSD1A3-red	426	304	11
POSD1A3-green	426	304	11
POSD1A3-black	426	304	11
POSD1A3-white	426	304	11
POSD1A4-yellow	215	305	11
POSD1A4-red	215	305	11
POSD1A4-green	215	305	11
POSD1A4-black	215	305	11
POSD1A4-white	215	305	11
POSD1A5-yellow	155	217	11
POSD1A5-red	155	217	11
POSD1A5-green	155	217	11
POSD1A5-black	155	217	11
POSD1A5-white	155	217	11



# NdFeB self-adhesive magnets



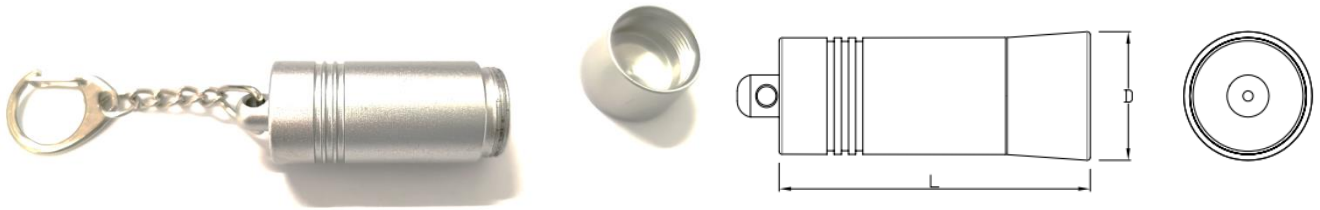
Size mm	Grade	Coating	Quantity per Bag	Adhesive Material	Weight g
D6x0.75	N35	NiCuNi	20	3M 467/PE FOAM	0.16
D8x0.75	N35	NiCuNi	20	3M 467/PE FOAM	0.29
D9.5x0.75	N35	NiCuNi	20	3M 467/PE FOAM	0.40
D10x0.6	N35	NiCuNi	20	3M 467/PE FOAM	0.36
D10x1	N35	NiCuNi	20	3M 467/PE FOAM	0.60
D13x1	N35	NiCuNi	20	3M 467/PE FOAM	1.00
D15x2	N35	NiCuNi	10	3M 467/PE FOAM	2.70
D20x1	N35	NiCuNi	10	3M 467/PE FOAM	2.40
D20x2	N35	NiCuNi	10	3M 467/PE FOAM	4.80
D25x2	N35	NiCuNi	10	3M 467/PE FOAM	7.50
L10x5x1	N35	NiCuNi	40	3M 467/PE FOAM	0.38
L10x10x1	N35	NiCuNi	20	3M 467/PE FOAM	0.76
L15x8x1	N35	NiCuNi	20	3M 467/PE FOAM	0.91
L20x10x1	N35	NiCuNi	20	3M 467/PE FOAM	1.50

Note: 1) The above table only shows some hot sellers, other dimensions are also possible.

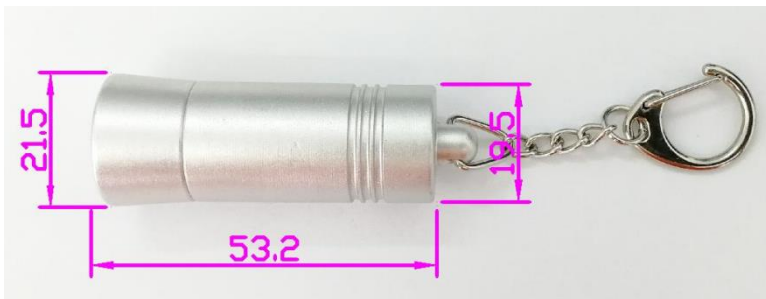
2) Magnets with PE foam are suggested to pack in tubes to avoid deformation.



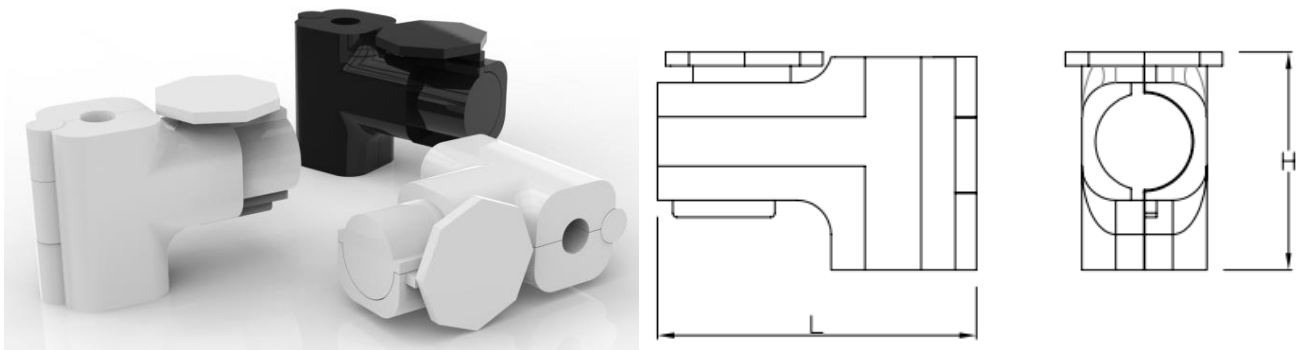
# Magnetic detacher



Item No.	D	L
	mm	mm
8NLXXY0215	21.5	53.2



# Pad lock



Item No.	L	H
	mm	mm
8XGABC0378	37.8	25.5

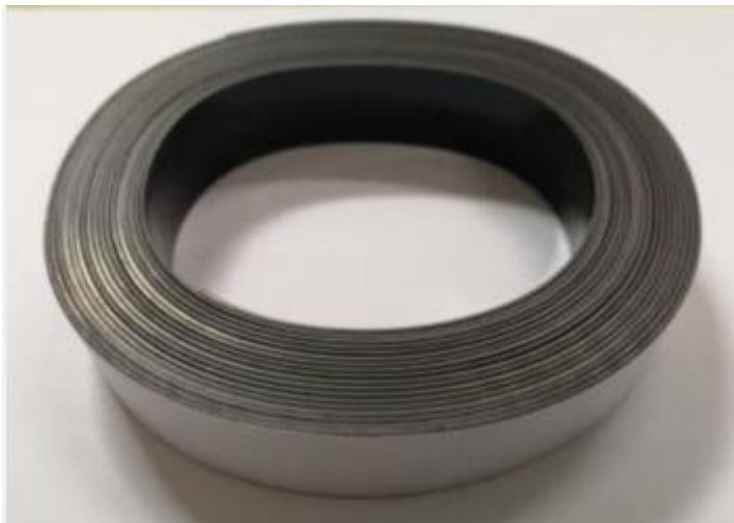


# Flexible magnet tape with self-adhesive



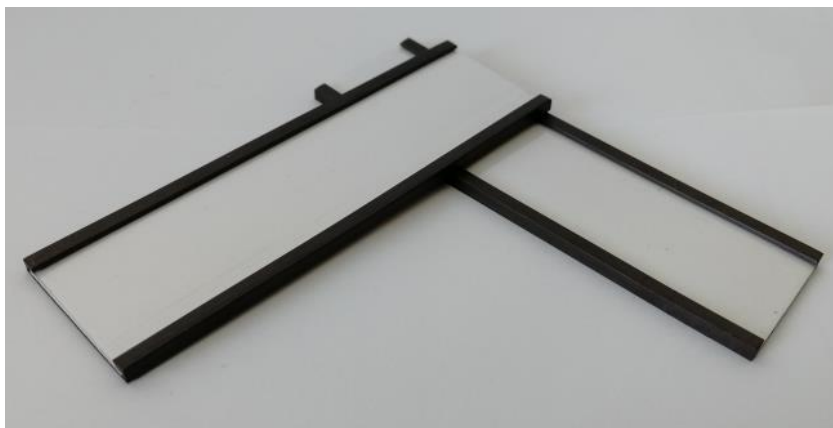
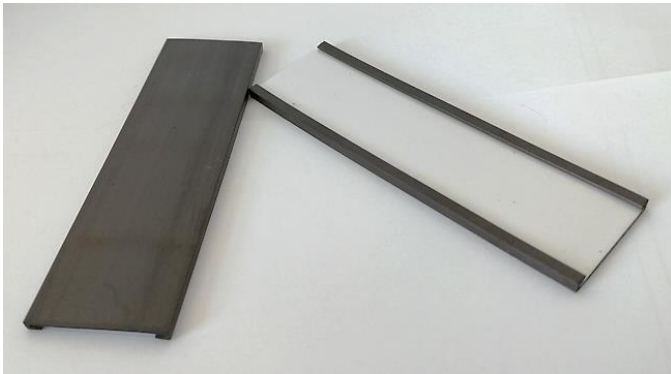
Item No.	L	W	T	Magnetization way	UV coating	Self-adhesive
	mm	mm	mm		Yes	Yes
FeB30000X25XT1mm -1	30000	25	1	Isotropic	Yes	Chinese brand

Note: Standard length is 30M. Customized length is also available upon request.





# Magnetic C profile



Item No.	Width(mm)	Thickness(mm)
GIC10	10	1
GIC15	15	1
GIC20	20	1
GIC25	25	1
GIC30	30	1
GIC40	40	1
GIC50	50	1

Magnetic property	Magnetic property Value							
	Br $\geq$		Hcb $\geq$		Hcj $\geq$		BH(max) $\geq$	
	mT	Gs	KA/m	Oe	KA/m	Oe	KJ/m <sup>3</sup>	MGOe
Isotropic	185	1850	112	1400	147	1850	5.97	0.75
Anisotropic	245	2450	167	2100	195	2450	11.54	1.45

Note: Standard length is 30M to 50M. Customized length is also available upon request.