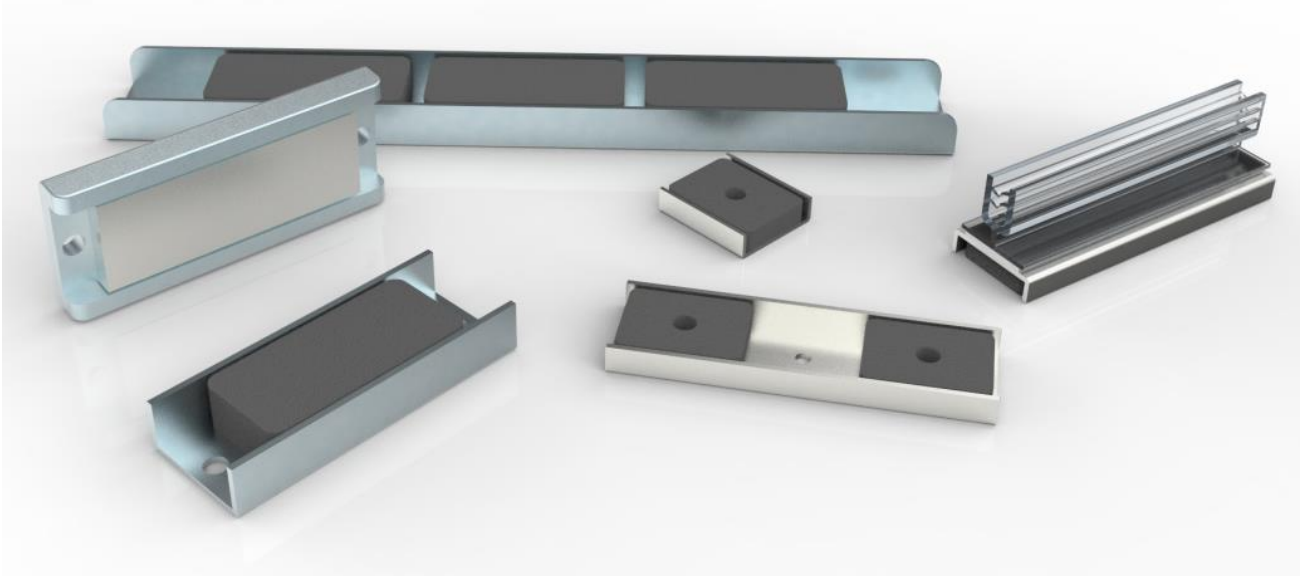


# 05 Channel Magnet

Channel magnet gets its name exactly from its structure.

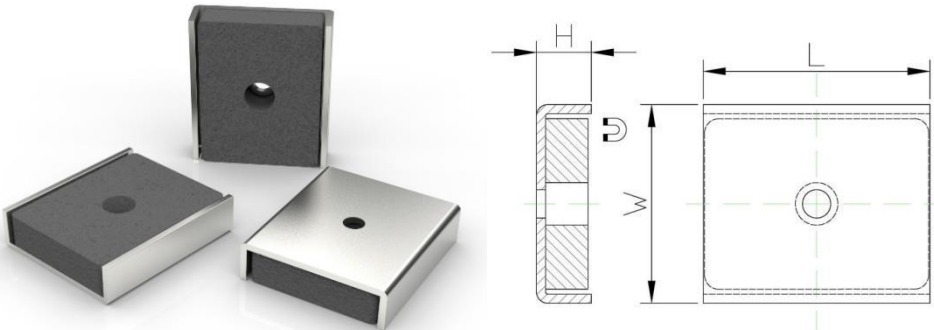
It shares the same working principle with round shape pot magnet that conduct magnetic field strength via the steel channel to have alternating-pole pattern on the holding face so that high holding force can be obtained.



## PRODUCT INFORMATION

- 1) Channel magnet with mounting hole, PVC gripper, hook or key ring etc for different applications can be provided.
- 2) Standard coating is Nickel and Zinc, special coating like power coated or rubber coated etc can be offered upon request.
- 3) Two types of magnets: neodymium, ferrite, to have various force & length combinations

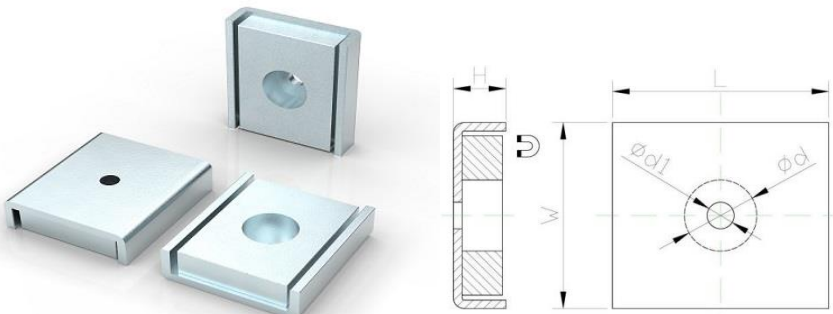
## Ferrite channel magnet with mounting hole 1"



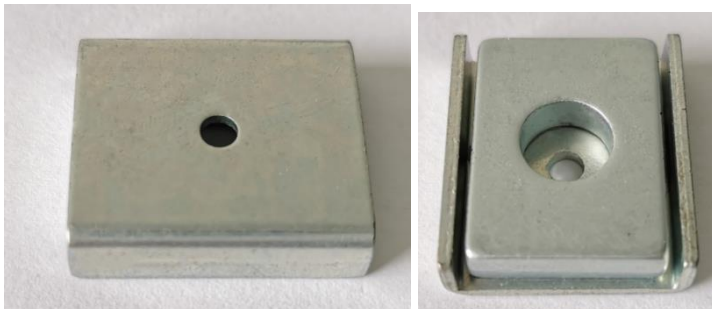
Item No.	L	W	H	Force			Weight
	mm	mm	mm	Kg	N	Lbs	g
CHFL1B	25.4	22.23	6.35	4	39	9	16.7



## NdFeB channel magnet with mounting hole 1"

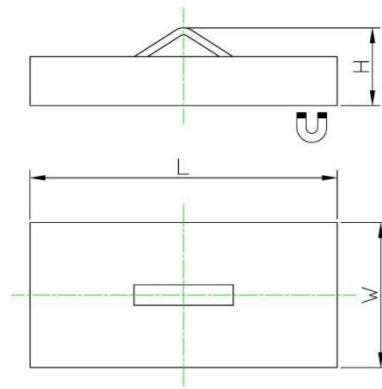


Item No.	L	W	H	d	d1	Force		
	mm	mm	mm	mm	mm	Kg	N	Lbs
CHNL1B	25.4	22.35	6.35	8.5	3.2	15	147	35



\*We test the holding force of magnetic assembly by attaching it on a 20mm thick steel sheet at room temperature and then pulling it slowly in vertical direction with the device that is sensitive enough to record the strength at the moment when magnetic assembly is separated from the steel sheet. This is to give you a reference where the actual holding force in real application could be different with the change of, for example, pulling direction, thickness of the surface etc.

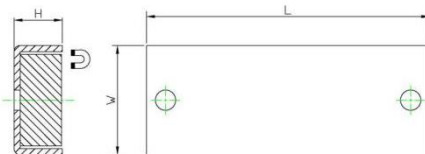
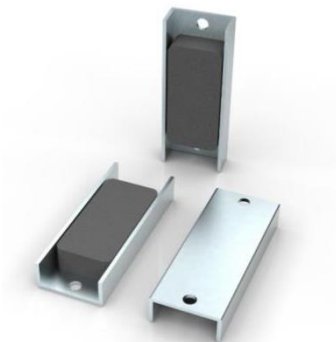
## Channel magnet with loop



Item No.	L	W	H	Force		
	mm	mm	mm	Kg	N	Lbs
CHFL1V	25.4	22.22	10.8	2	22	5
CHFL2V	50.8	24	12.85	6	62	14



## Ferrite channel magnet with mounting holes 2.7"

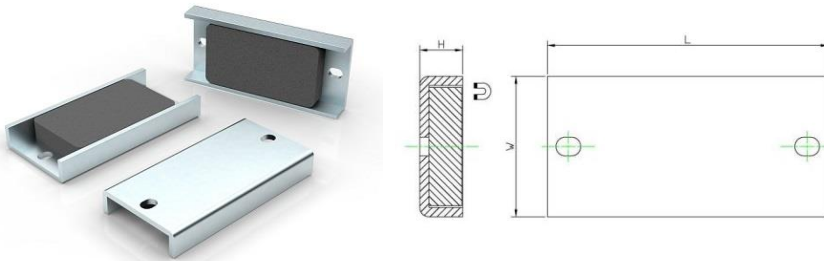


Item No.	L	W	H	Force			Weight
	mm	mm	mm	Kg	N	Lbs	g
CHFL2.7B	68.58	26.42	11.63	11	108	24	85



\*We test the holding force of magnetic assembly by attaching it on a 20mm thick steel sheet at room temperature and then pulling it slowly in vertical direction with the device that is sensitive enough to record the strength at the moment when magnetic assembly is separated from the steel sheet. This is to give you a reference where the actual holding force in real application could be different with the change of, for example, pulling direction, thickness of the surface etc.

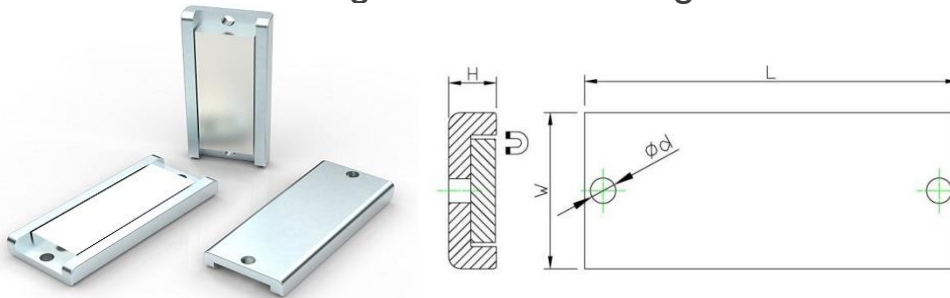
## Ferrite channel magnet with mounting holes 3"



Item No.	L	W	H	Force			Weight
	mm	mm	mm	Kg	N	Lbs	g
CHFL3B	76.2	38.1	11.61	27	264	59	148



## NdFeB channel magnet with mounting holes 3"

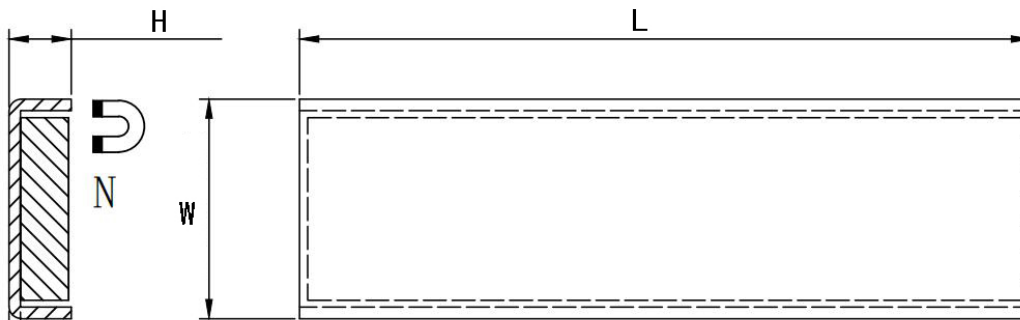
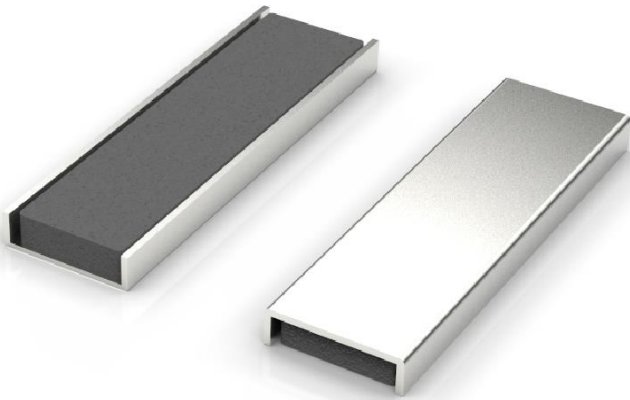


Item No.	L	W	H	d	Force			weight
	mm	mm	mm	mm	Kg	N	Lbs	g
CHNL3B	76.2	31.75	9.7	5.16	45	441	99	150



\*We test the holding force of magnetic assembly by attaching it on a 20mm thick steel sheet at room temperature and then pulling it slowly in vertical direction with the device that is sensitive enough to record the strength at the moment when magnetic assembly is separated from the steel sheet. This is to give you a reference where the actual holding force in real application could be different with the change of, for example, pulling direction, thickness of the surface etc.

# Ferrite channel magnet flat 3"

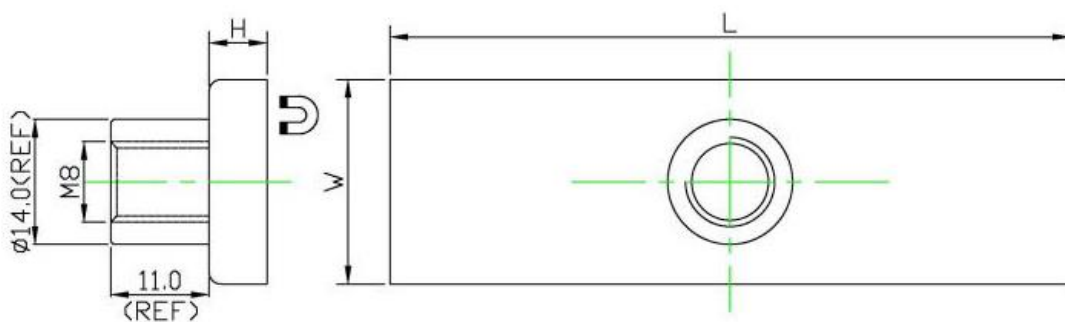
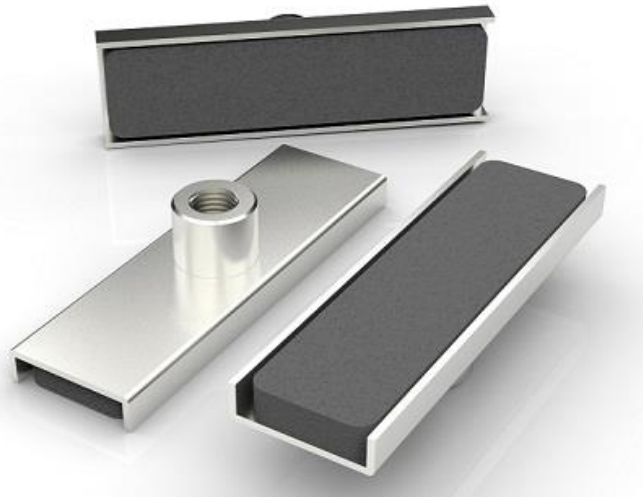


Item No.	L	W	H	Force		
	mm	mm	mm	Kg	N	Lbs
CHFL3	76.2	22.86	6.48	10	98	22



\*We test the holding force of magnetic assembly by attaching it on a 20mm thick steel sheet at room temperature and then pulling it slowly in vertical direction with the device that is sensitive enough to record the strength at the moment when magnetic assembly is separated from the steel sheet. This is to give you a reference where the actual holding force in real application could be different with the change of, for example, pulling direction, thickness of the surface etc.

# Ferrite channel magnet with threaded bush 3"

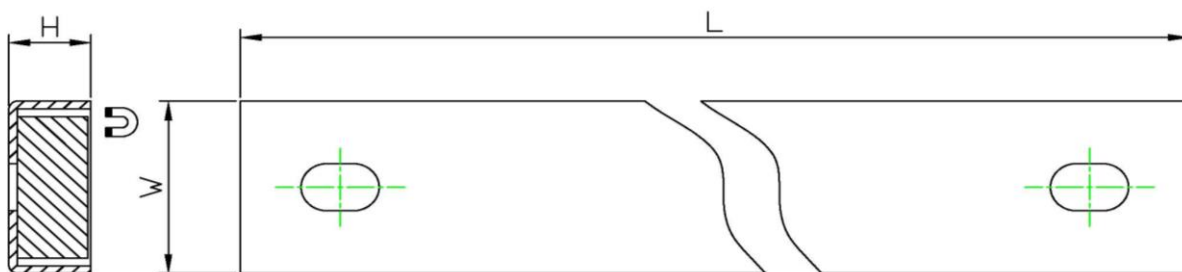
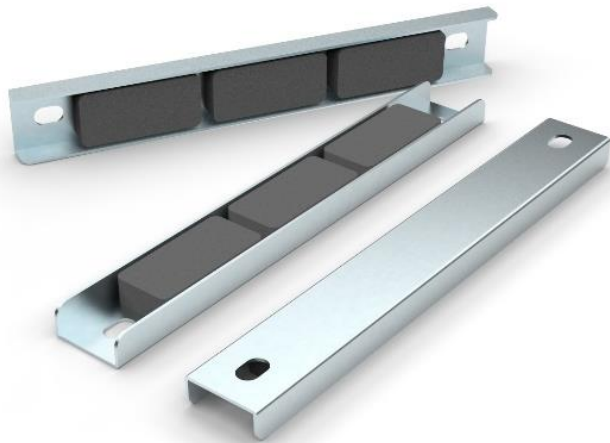


Item No.	L	W	H	Force		
	mm	mm	mm	Kg	N	Lbs
CHFL3F	76.2	22.86	6.48	10	98	22



\*We test the holding force of magnetic assembly by attaching it on a 20mm thick steel sheet at room temperature and then pulling it slowly in vertical direction with the device that is sensitive enough to record the strength at the moment when magnetic assembly is separated from the steel sheet. This is to give you a reference where the actual holding force in real application could be different with the change of, for example, pulling direction, thickness of the surface etc.

# Ferrite channel magnet with mounting holes 8"

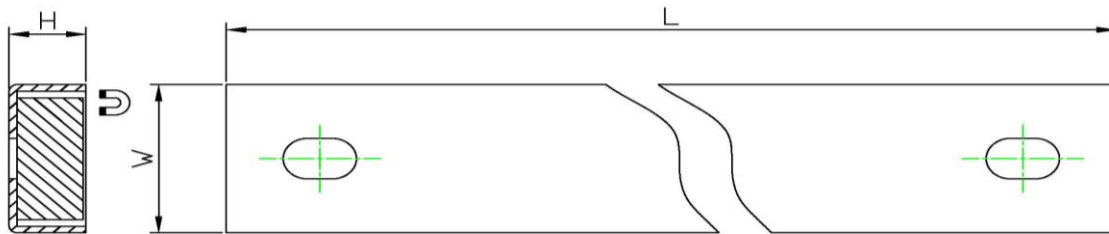


Item No.	L	W	H	Force			Weight
	mm	mm	mm	Kg	N	Lbs	g
CHFL8B	203.2	26.64	11.5	27	264	59	234



\*We test the holding force of magnetic assembly by attaching it on a 20mm thick steel sheet at room temperature and then pulling it slowly in vertical direction with the device that is sensitive enough to record the strength at the moment when magnetic assembly is separated from the steel sheet. This is to give you a reference where the actual holding force in real application could be different with the change of, for example, pulling direction, thickness of the surface etc.

# Ferrite channel magnet with cloth tape protection 8"



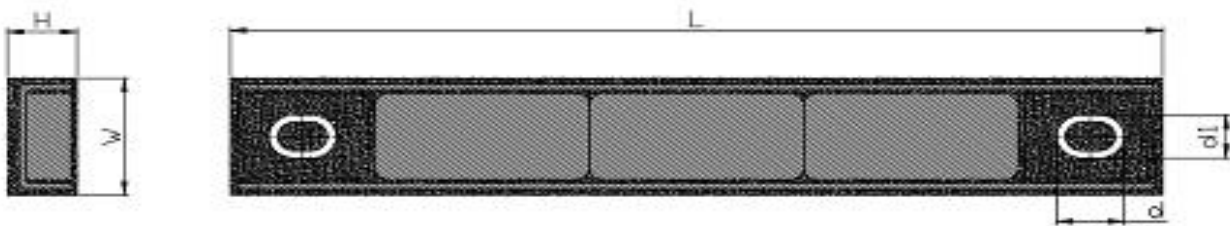
Item No.	L	W	H	Force		
	mm	mm	mm	Kg	N	Lbs
CHFL8B-CLOTH	203.2	27.8	11.8	6	59	13



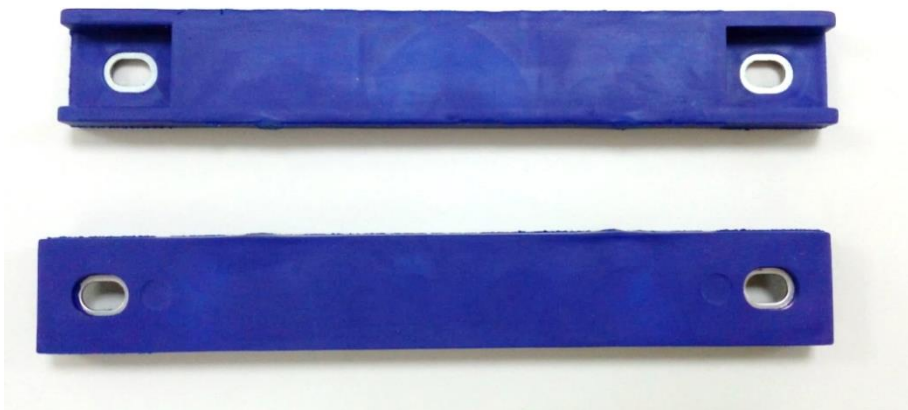
\*We test the holding force of magnetic assembly by attaching it on a 20mm thick steel sheet at room temperature and then pulling it slowly in vertical direction with the device that is sensitive enough to record the strength at the moment when magnetic assembly is separated from the steel sheet. This is to give you a reference where the actual holding force in real application could be different with the change of, for example, pulling direction, thickness of the surface etc.



# Ferrite channel magnet with blue injection molded protection 8"

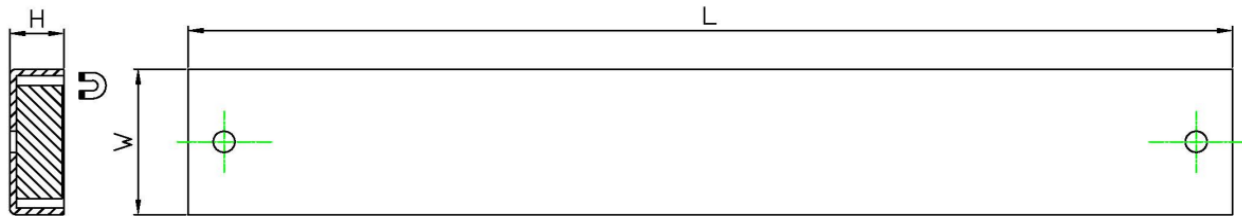
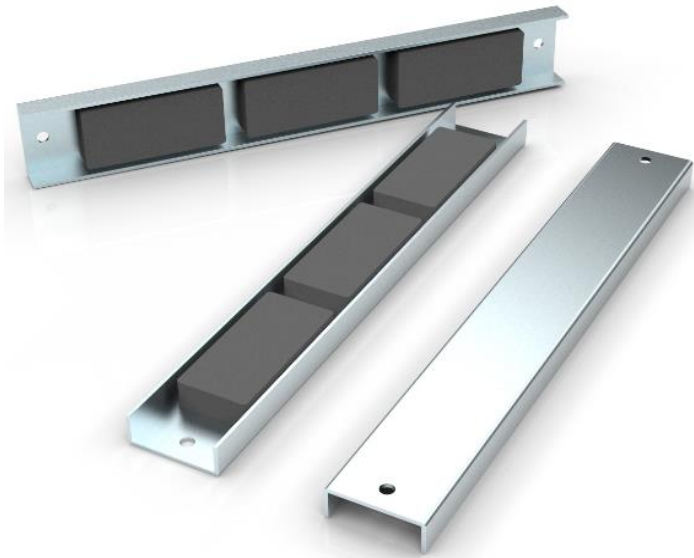


Item No.	L	W	H	Force		
	mm	mm	mm	Kg	N	Lbs
CHFL8B-TPR	207	30	15.5	6	59	13



\*We test the holding force of magnetic assembly by attaching it on a 20mm thick steel sheet at room temperature and then pulling it slowly in vertical direction with the device that is sensitive enough to record the strength at the moment when magnetic assembly is separated from the steel sheet. This is to give you a reference where the actual holding force in real application could be different with the change of, for example, pulling direction, thickness of the surface etc.

# Ferrite channel magnet with mounting holes 12"

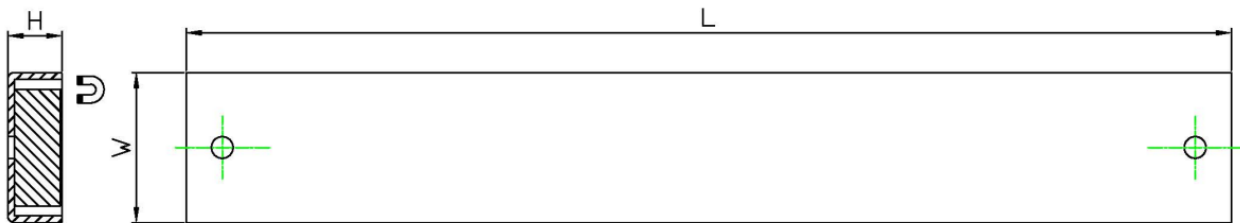
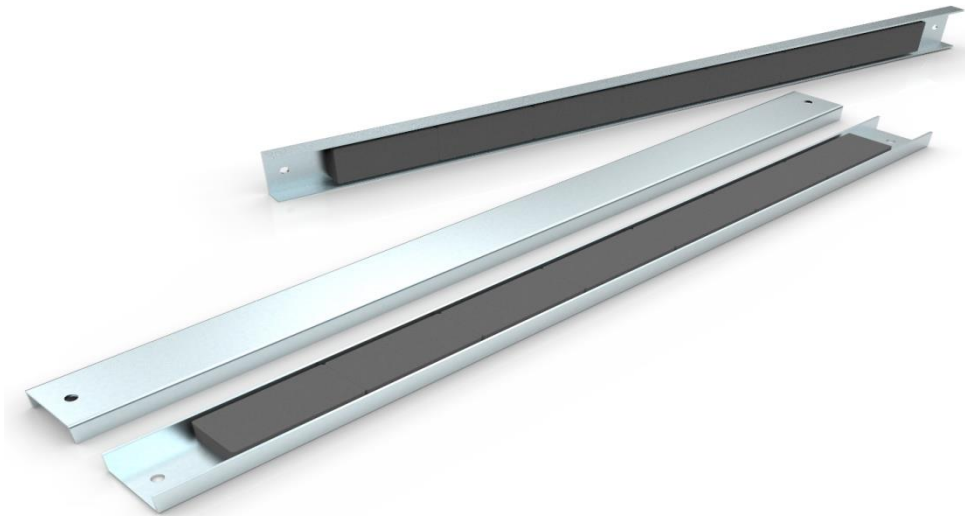


Item No.	L	W	H	Force			Weight
	mm	mm	mm	Kg	N	Lbs	g
CHFL12B	304.8	43.69	15.75	68	666	149	789.5



\*We test the holding force of magnetic assembly by attaching it on a 20mm thick steel sheet at room temperature and then pulling it slowly in vertical direction with the device that is sensitive enough to record the strength at the moment when magnetic assembly is separated from the steel sheet. This is to give you a reference where the actual holding force in real application could be different with the change of, for example, pulling direction, thickness of the surface etc.

# Ferrite channel magnet with mounting holes 24"



Item No.	L	W	H	Force			Weight
	mm	mm	mm	Kg	N	Lbs	g
CHFL24B	609.6	43.69	15.75	50	490	110	1764



\*We test the holding force of magnetic assembly by attaching it on a 20mm thick steel sheet at room temperature and then pulling it slowly in vertical direction with the device that is sensitive enough to record the strength at the moment when magnetic assembly is separated from the steel sheet. This is to give you a reference where the actual holding force in real application could be different with the change of, for example, pulling direction, thickness of the surface etc.