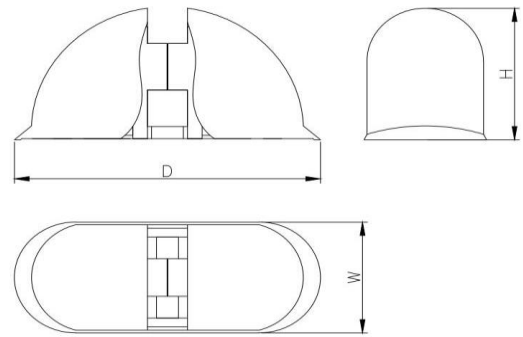
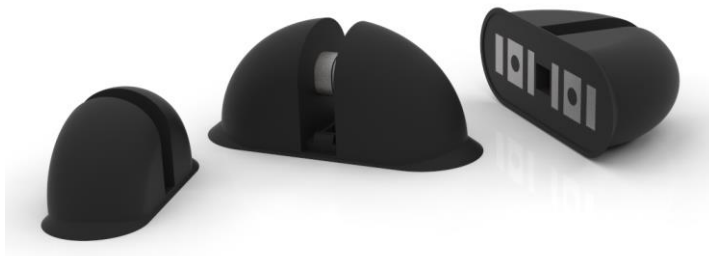
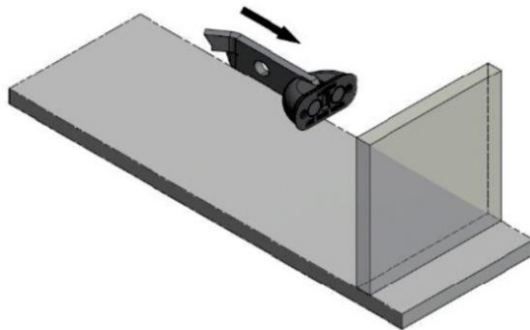


Recess former for other anchors

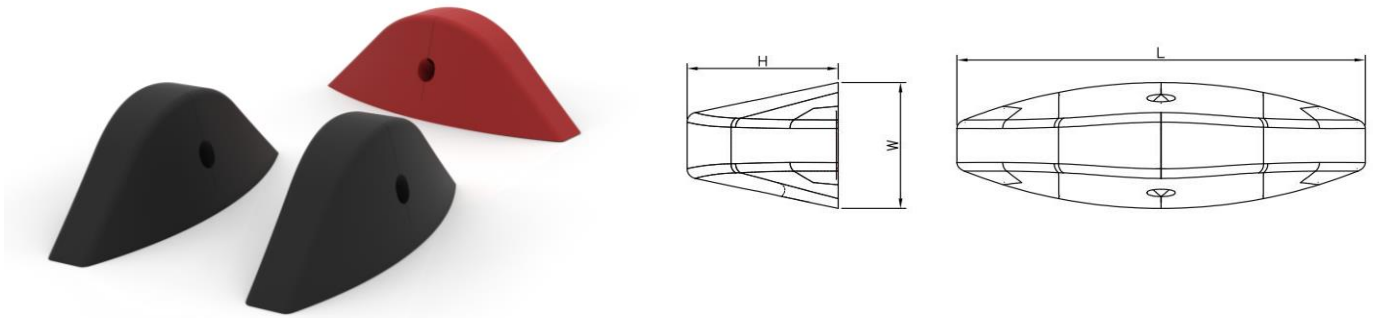


Item No	D	W	H	Note
	mm	mm	mm	
GU-TPA-025	96	41	47	flat anchor 2.5t
GU-TPA-050	125	50	60	flat anchor 5.0t

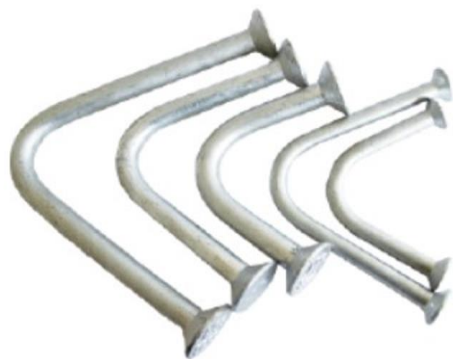


*We test the holding force of magnetic assembly by attaching it on a 20mm thick steel sheet at room temperature and then pulling it slowly in vertical direction with the device that is sensitive enough to record the strength at the moment when magnetic assembly is separated from the steel sheet. This is to give you a reference where the actual holding force in real application could be different with the change of, for example, pulling direction, thickness of the surface etc.

Recess former for other anchors



Item No	L	W	H	Force	Note
	mm	mm	mm	kg	
CRRF9018	229	76.5	84.8	80	A anchor



*We test the holding force of magnetic assembly by attaching it on a 20mm thick steel sheet at room temperature and then pulling it slowly in vertical direction with the device that is sensitive enough to record the strength at the moment when magnetic assembly is separated from the steel sheet. This is to give you a reference where the actual holding force in real application could be different with the change of, for example, pulling direction, thickness of the surface etc.