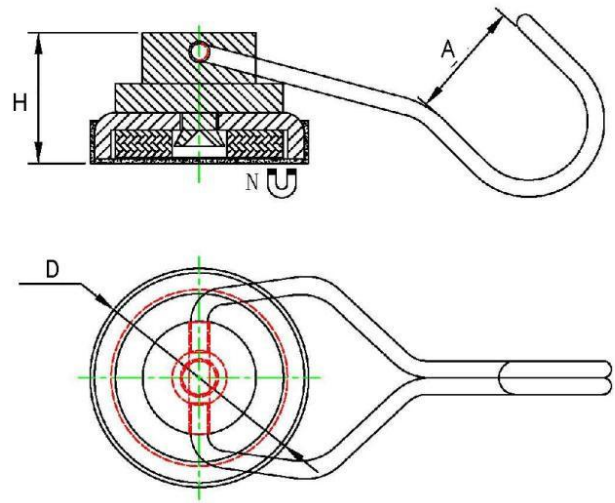


NdFeB pot magnet with swivel hook and rubber cap



Item No.	D	H	A	Force (When without the rubber cap)		
	mm	mm	mm	Kg	N	Lbs
FTNT-25R	26	15.5	14mm	20	196	44

