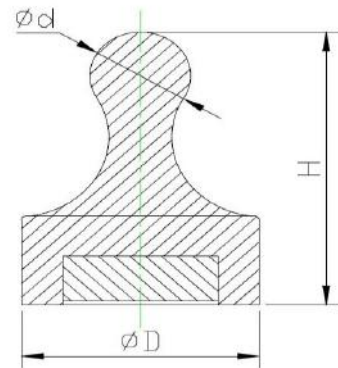
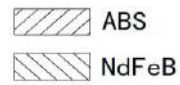


## NdFeB memo magnet with plastic case



Item No.	D	H	d	Force			weight
	mm	mm	mm	Kg	N	Lbs	g
PC12SEAL	12	20	7	0.8	8	1.7	4
PC19SEAL	19	25.5	10	1.5	15	3	8
PC29SEAL	29	38.5	12	2.3	23	5	20.5

