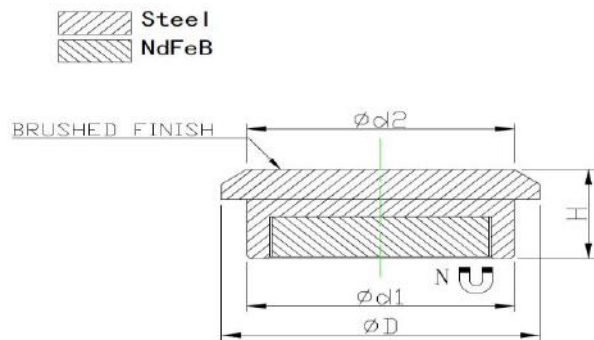


## NdFeB memo magnet with brushed finish



Item No.	D	H	d1	d2	Force			Weight
	mm	mm	mm	mm	Kg	N	Lbs	g
M-CAPN16	16	7	12.5	12.5	5	49	11	8
M-CAPN22	22	9	18	18	8	80	17	18.5
M-CAPN25	25	9	21	21	13	130	28	25
M-CAPN30	30	9	27	26	21	210	46	40

Note: Retail packing can be fulfilled.

