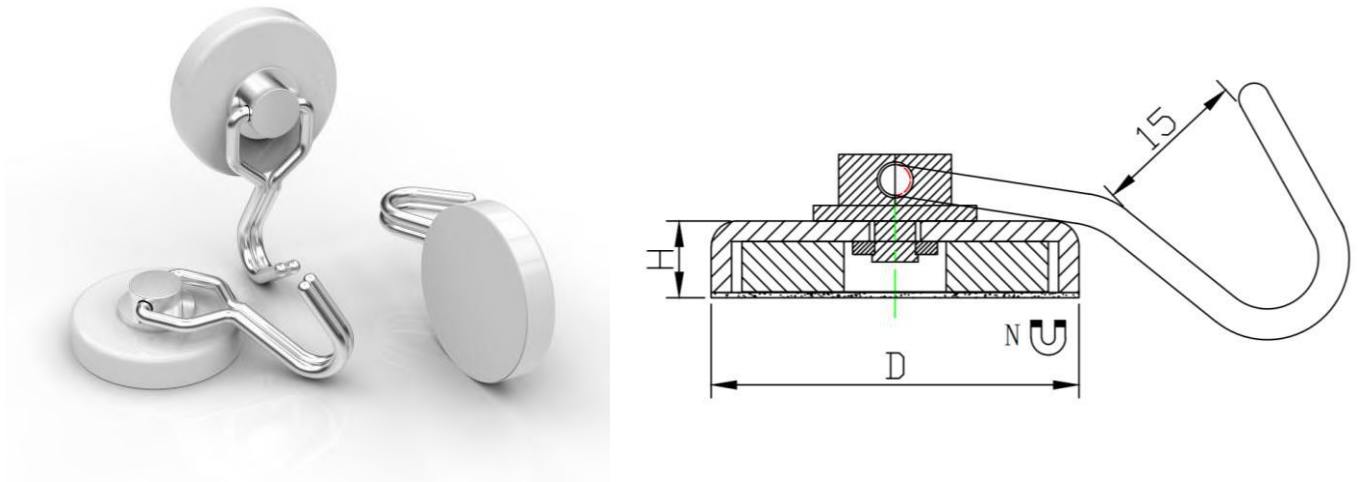


Ferrite white powder coated magnet with swivel hook



Item No.	D	H	Hook opening	Force (with protect film)		
	mm	mm	mm	Kg	N	Lbs
FTFT-35-W	35	7	15	5	49	11

