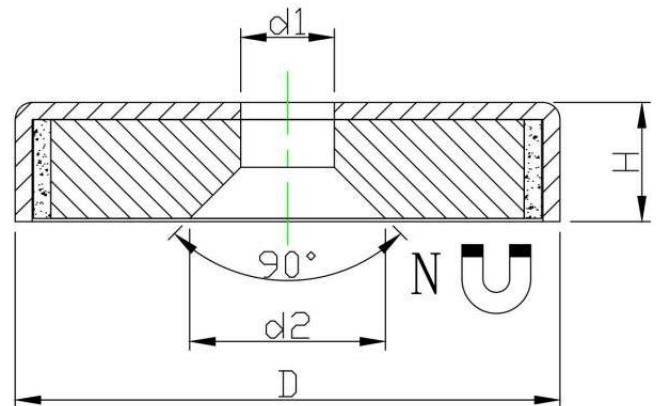
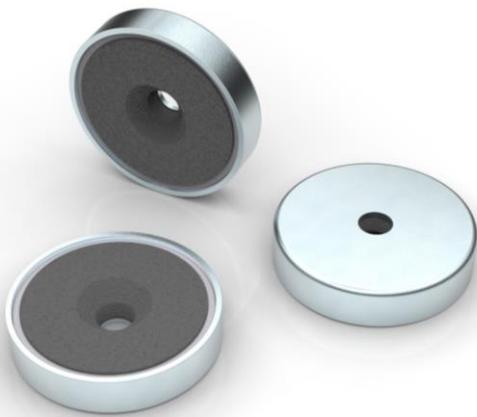


## Ferrite pot magnet with countersunk hole



Item No.	D	d1	d2	H	Force			Weight
	mm	mm	mm	mm	Kg	N	Lbs	g
RBFC16	16	3.5	6.5	4.5	1.4	14	3.1	4
RBFC20	20	4.1	9.4	6	2.7	27	6	9
RBFC25	25	5.5	11.5	7	3.6	36	8	17
RBFC32	32	5.5	11.5	7	7.3	72	16.1	27
RBFC40	40	5.5	11.5	8	9.2	90	20.2	52

