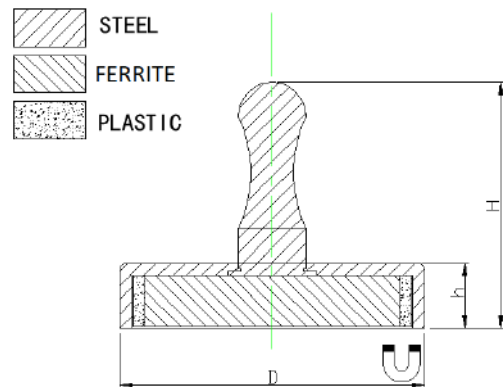


Ferrite memo magnet with handle, white powder coated



Item No	D	h	H	Force			Weight
	mm	mm	mm	Kg	N	Lbs	g
TFE25H-W	25	7	29	4	40	9	22
TFE32H-W	32	7	29	7	70	15	33.5
TFE36H-W	36	7.7	29	8	80	18	45
TFE40H-W	40	8	29	10	100	22	57.5

