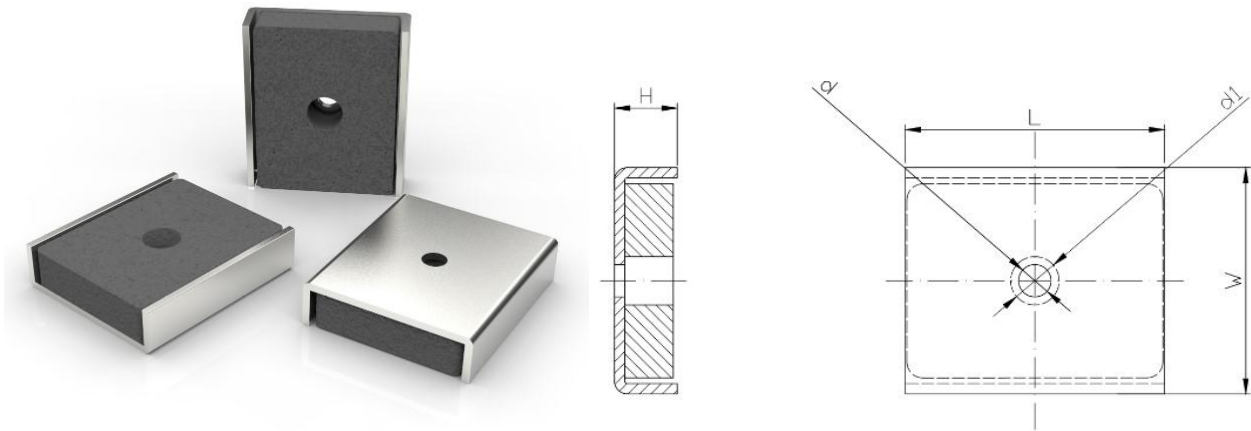


## Ferrite channel magnet with mounting hole 1"



Item No.	L	W	H	Force			Weight
	mm	mm	mm	Kg	N	Lbs	g
CHFL1B	25.4	22.23	6.35	4	39	9	16.7

