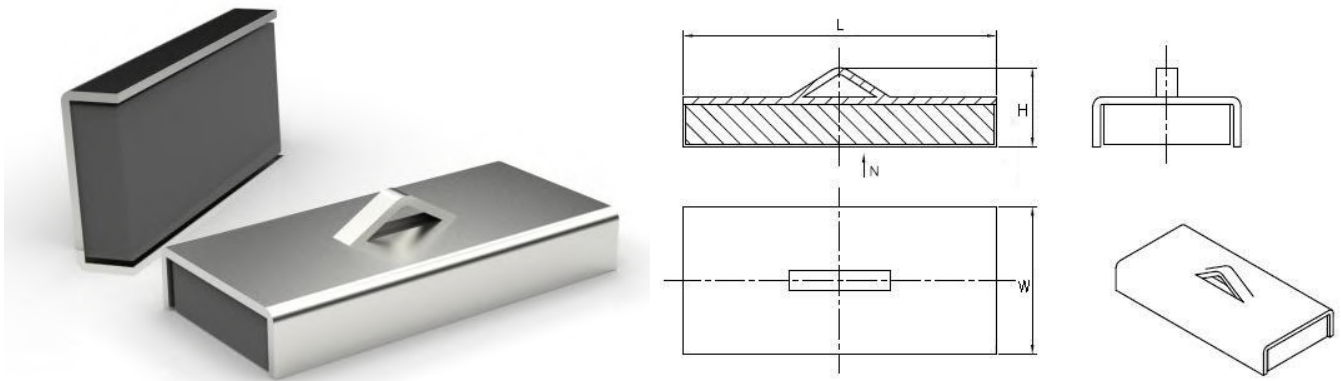


# Ferrite channel magnet with loop



Item No.	L	W	H	Force		
	mm	mm	mm	Kg	N	Lbs
CHFL1V	25.4	22.22	10.8	2	22	5
CHFL2V	50.8	24	12.85	6	62	14

