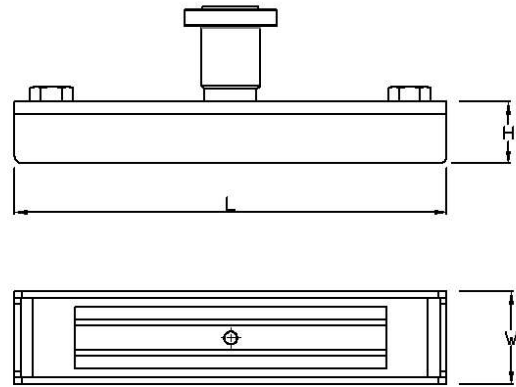


Shuttering magnet



Item No.	L	W	H	Force			weight
	mm	mm	mm	Kg	N	Lbs	KG
SM-450	170	60	40	450	4410	991	2.7
SM-900	280	60	40	900	8820	1982	4.5
SM-1500	320	120	60	1500	14700	3304	8
SM-1800	320	120	60	1800	17640	3965	9
SM-2100	320	120	60	2100	20580	4625	10



*We test the holding force of magnetic assembly by attaching it on a 20mm thick steel sheet at room temperature and then pulling it slowly in vertical direction with the device that is sensitive enough to record the strength at the moment when magnetic assembly is separated from the steel sheet. This is to give you a reference where the actual holding force in real application could be different with the change of, for example, pulling direction, thickness of the surface etc.